

ORBIWELD 65, 115, 170 ORBIWELD 38S, 76S, 115S, 170S

Totally enclosed, extra thin orbital tube welding heads with extremely high-duty cycle and unexcelled features:

- In-handle integrated remote control
- Quick-change system for collets
- Collets for nearly all standard elbows and fittings
- High duty cycle through highly efficient water cooling (the OW 65, OW 115 and OW 170 are even equipped with an internal and external water cooling system)

With a built-in remote control in the rugged weld-head handle all critical welding commands can be transmitted to the power-source. This eliminates the need for an additional remote pendant.

Another unique feature is the newly developed quick-changing system for the collets. There are no additional screws and tools for changing the collets required. The collets can be easily snapped in or out of position while still ensuring power, precise alignment of welded parts.



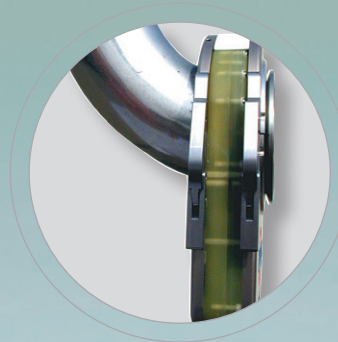
ORBIWELD 38S,
ORBIWELD 76S



ORBIWELD 170, ORBIWELD 115
and ORBIWELD 65



Built-in remote control in the rugged weld-head handle



Extremely thin weld head design; ideal for short welding lengths



A strong tube clamping system guarantees a safe, mismatch-free clamping and alignment of the parts to be welded



Quick clamping system for collets

ORBIWELD "S"

OW 38 S, OW 76 S, OW 115 S and OW 170 S

The perfect solution for applications with tight access restrictions!

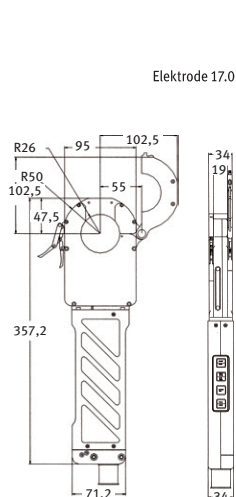
A strong quick clamping system is provided in connection with the collets which are available for all tube diameters. This guarantees a safe, mismatch-free clamping and alignment of the parts to be welded. Because of its extremely small dimensions, the **ORBIWELD S-series** is ideal for applications with tight

access restrictions like in pharmaceutical or similar areas.

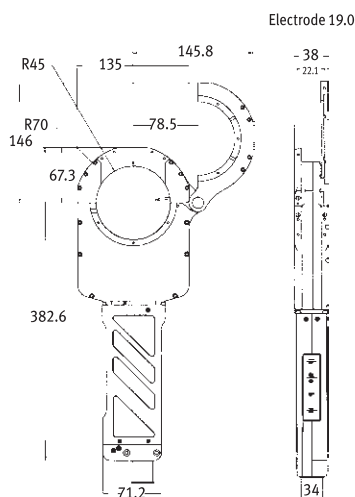
The extremely thin weld head design of the **ORBIWELD S-series** allows fittings and components with very short lengths of straightness to be clamped and welded.

Dimensions (in mm)

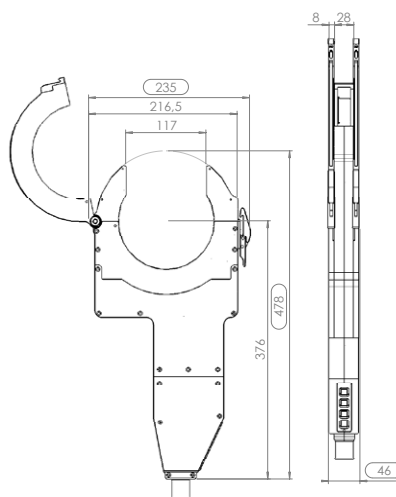
ORBIWELD 38 S



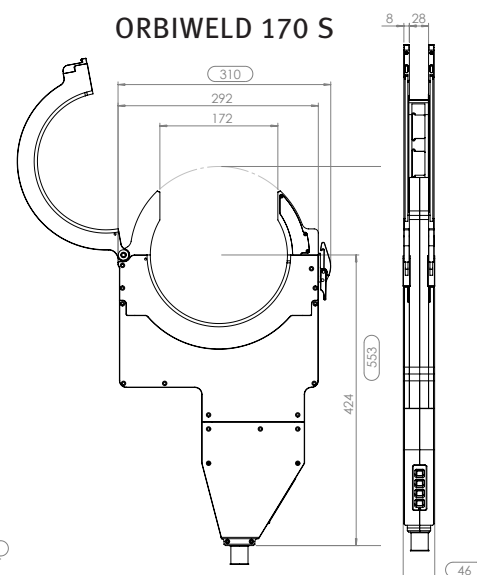
ORBIWELD 76 S



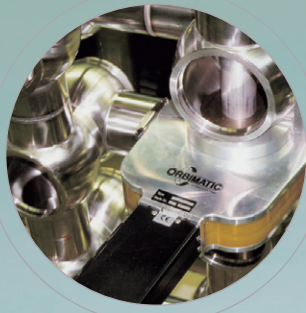
ORBIWELD 115 S



ORBIWELD 170 S



Model	for tube-Ø	for tube-Ø	Code
ORBIWELD 38 S	3 – 38.1 mm	1/8" – 1.5"	826 000 001
ORBIWELD 76 S	6 – 77 mm	1/4" – 3"	827 000 001
ORBIWELD 115 S	20 – 115 mm	3/4" – 4.5"	828 000 001
ORBIWELD 170 S	50 – 170 mm	2" – 6"	829 000 001



High-thermal load capacity



Quick clamping system for collets



Specially designed water channels running completely throughout the whole weld head body



Built-in remote control in the rugged weld-head handle

ORBIWELD

OW 65, OW 115, OW 170

Sturdy design for highest requirements!

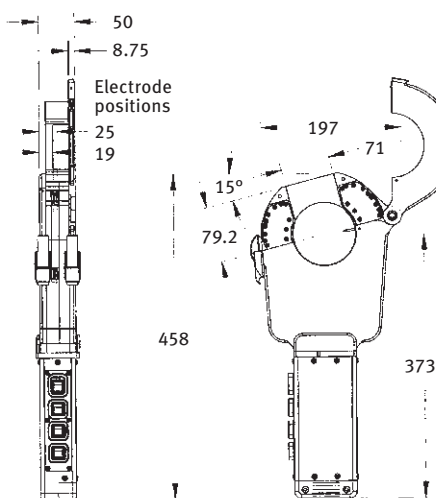
With the new **ORBIWELD** series, ORBIMATIC has designed a weld head range, which is distinguished by its high-thermal load capacity. This development has been brought on by the changing requirements from the chemical, pharmaceutical and food-processing industries. Now there are new applications with increased wall-thickness requiring more heat-resistant weld heads.

With specially designed water channels running completely throughout the whole weld head body, a highly efficient heat exchange was created. This allows nearly continuous weld cycles even with high currents and high-duty cycles.

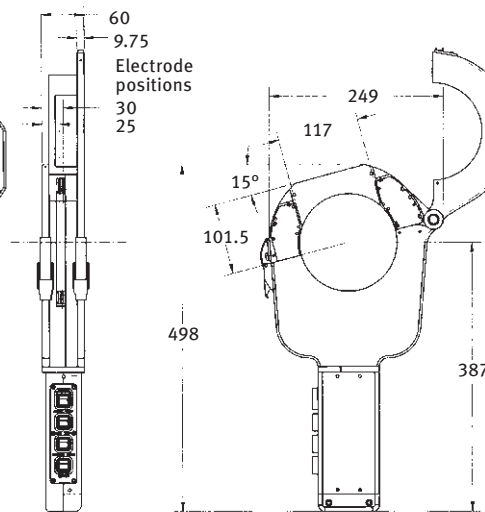
The closed chamber design of the weld heads and the unique internal gas delivery system ensure a continuous non-turbulent gas shield around the whole weld joint resulting in minimal OD oxidation.

Dimensions (in mm)

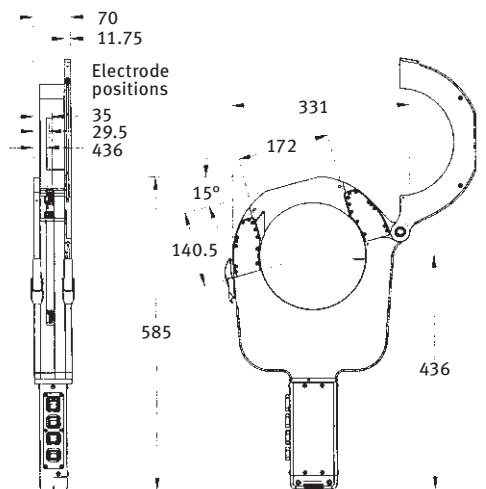
ORBIWELD 65



ORBIWELD 115



ORBIWELD 170



Model	for tube-Ø	for tube-Ø	Code
ORBIWELD 65	6 – 70 mm	1/4" – 2.5"	823 000 001
ORBIWELD 115	20 – 115 mm	3/4" – 4.5"	824 000 001
ORBIWELD 170	50 – 170 mm	2" – 6"	825 000 001

ORBIWELD "S"

ORBIWELD

Accessories

Clamping collets

For each tube OD one set of collets is required.
Please specify the required tube-Ø when ordering.

Article	Code
Clamping collets for OW 38 S, complete	826 050 008
Clamping collets for OW 76 S, complete	827 050 001
Clamping collets for OW 65, complete	823 050 009
Clamping collets for OW 115, complete	824 050 001
Clamping collets for OW 170, complete	825 050 001

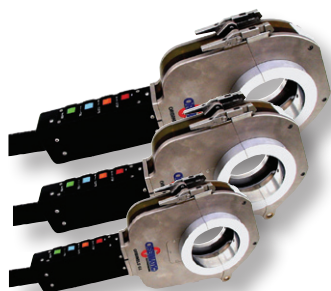
Plastic Box

With internal partitioning. For containing up to 5 standard collets sets (for OW 38 S for up to 10 standard collet sets).

Article	Code
Plastic box for OW 38 S	826 020 001
Plastic box for OW 65 and 76 S	827 020 006
Plastic box for OW 115	824 020 002



OW 38 S, OW 76 S



OW 170, OW 115, OW 65

Pulled T-gas cups and internal alignment for ORBIWELD weldheads

Pulled T-gas cups.

Colletsets are to be ordered for each necking tube as for each tube to be welded (as a set).

Internal alignment with ORBIPURGE consisting of:

- axle lead screw
- knurled nut
- tube-fitting tool
- necking tube-fitting tool

Article	Tube OD max. [mm]	Code
Pulled T-gas cups for OW 76 S	40.00	827 050 005
Internal alignment for OW 76 S	40.00	827 050 006
Pulled T-gas cups for OW 115	85.00	824 050 004
Internal alignment for OW 115	85.00	824 050 005
Pulled T-gas cups for OW 170	154.00	825 050 003
Internal alignment for OW 170	154.00	825 050 004

Stamp of distributor:

The technical data are not binding. They are not warranted characteristics and are subject to change. Please consult our general conditions of supply.

© Orbitalum Tools GmbH (09.2009)



Orbitalum Tools GmbH
Josef-Schüttler-Str. 17
78224 Singen
Germany

Sales Contact:
Tel. +49 (0) 77 31 792-786 up to -790
Fax +49 (0) 77 31 792-524
tools@orbitalum.com
www.orbitalum.com